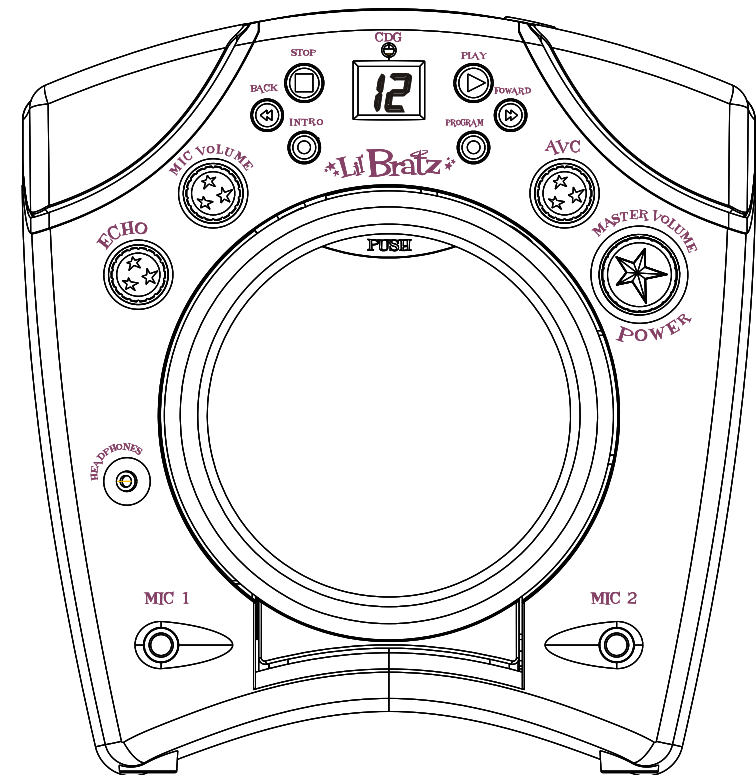


Li Bratz

Portable CD + Graphics
Karaoke System

MGA-280583
Instruction Manual



Please read and follow this instruction manual carefully before using the unit and retain it for future reference.

CONTENTS

WARNINGS	1
IMPORTANT SAFETY INSTRUCTIONS	2
INTRODUCTION	4
CONTROL LOCATIONS	5
CONNECTIONS	6
Connecting to a TV Set	6
Connection to an Audio Component	7
Connecting the Microphones.....	7
Connecting the Power	8
BASIC OPERATION	9
Adjusting the Balance Inputs	9
Playing CD or CD+G discs	9
Turning Power ON/OFF.....	9
Adjusting the Volume	10
Loading a disc	10
Playback Mode	10
Pause Playback	10
Stop Mode	10
Removing a Disc.....	10
Skip Search	10
SPECIAL KARAOKE FUNCTIONS	11
Program Play	11
Intro Scan.....	11
AVC (Auto Vocal Control)	11
Microphone Volume	11
Echo Control	11
Disco Ball	11
CARE AND MAINTENANCE	12
TROUBLE SHOOTING GUIDE	13

UNPACKING

Please make sure your Lil Bratz box contains the following items:

- Karaoke Player
- Two Microphones
- Video Cable
- Instruction Manual and Warranty

If any of these items are damaged or missing, please inform your dealer.

FOR CUSTOMER USE

In the space provided below, record the model and serial number located on the rear panel of your karaoke machine.

Model No. MGA-280583 Serial No. _____

Retain this information for future use.

TROUBLE SHOOTING GUIDE

Should you experience difficulties in the use of this player please refer to the following chart of call (800) 222 - 4685 for customer service.

PROBLEM	POSSIBLE CAUSE	SOLUTION
The karaoke system does not work.	No power.	Make sure the AC adapter is inserted correctly. Ensure the batteries are inserted properly. If old, replace with new ones.
No sound from the Microphone.	Mic is not plugged in or turned ON.	Make sure Mic is inserted correctly and power is turned ON.
	Mic Volume is set to minimum.	Turn Mic Volume up.
CD Player does not work.	Disc is not inserted correctly.	Make sure disc is inserted correctly.
No song lyrics appear on screen.	Disc does not have CDG software.	Use a CD+G or CD+Graphics disc.
	TV is not turned on or not set to correct Input source.	Turn TV power on and select correct input source.
	TV does not have video input.	Connect from VIDEO OUT of the system to the AUX IN of your TV using a RF modulator.
CD only plays first 10 seconds of track.	Intro Scan function is turned on.	Press the INTRO button to turn off the intro scan function.
No sound from CD or CD+G disc.	Master Volume is set to minimum.	Turn up the volume.
	PAUSE is activated.	Press PAUSE again to resume play.
Intermittent sound.	Dirty or defective disc.	Clean or replace the defective disc.
	Dirty Pick Up lens.	Use a CD-lens cleaning disc to clean the lens.
	Player is subject to excessive shock or vibration.	Relocate the player away from shock or vibration.
No sound when played in the AUX Mode.	Power to external source (TV, amplifier, etc) not switched on .	Switch on the power of the external source.
	Connection to external source (TV, amplifier, etc) is incorrect: e.g. RCA plug may have been inserted to AUDIO OUT of external source.	Reconnect the RCA Plug to the AUDIO IN of the external source.
	MASTER VOLUME is at minimum.	Adjust the MASTER VOLUME .

SERVICE

Please refer to the instructions on the enclosed warranty card for returning your unit for service.

TM & © 2004 MGA Entertainment®.

Bratz and all related logos, names and distinctive likenesses are the exclusive property of MGA Entertainment®.

All Rights Reserved.

16730 Schoenborn Street, North Hills, CA 91343 USA

(800) 222-4685

Made in China.

CARE AND MAINTENANCE

POWER SWITCH

- When not in use, turn the Master Power Control OFF. The star indicator will be lit only when the power is ON.
- If you are not planning to use the unit for long periods of time, remove the batteries, and disconnect the AC power adapter.

CLEANING AND STORING THE PLAYER

- Clean your unit with a damp (never wet) cloth. Solvent or detergent should never be used.
- Avoid leaving your player in direct sunlight or in hot, humid or dusty places.
- Keep your unit away from heating appliances and sources of electrical noise such as fluorescent lamps or motors.
- To clean the CD laser lens, use a lens cleaning disc. Follow the cleaning instructions recommended by the disc manufacturer.

WARNING!



Do not remove the cover. Refer your unit to qualified personnel only. The player mechanism is fitted with self-lubricating bearing and must not be oiled or greased.

DISC HANDLING AND MAINTENANCE

- To avoid drop-outs or interruptions during playback, keep your discs clean and store them properly.
- Before playing, clean the disc with a soft clean cloth. Wipe the disc in a straight line from the center to the edge.
- Never use chemicals such as record cleaning sprays, antistatic sprays or fluids, benzine or thinner to clean a disc. These chemicals will permanently damage the plastic surface of the disc.
- To remove the disc from its storage case, press down on the center of the case and lift the disc out, holding it carefully by its edges.
- Always hold discs by its edge. Do not touch the surface.
- Do not apply paper or tape or write anything on either side of the disc. The inks used in some felt-tip pens may damage the surface of the disc.
- Be careful not to bend or drop the disc.
- Always store the disc in their case to protect them from dust and scratches.
- To prevent warping the disc, do not expose it to direct sunlight, high humidity or high temperatures for extended periods of time.
- Avoid storing discs in areas exposed to direct sunlight, heat, humidity or dust.

WARNINGS

WARNING: TO REDUCE THE RISK OF FIRE OR SHOCK HAZARD, DO NOT EXPOSE THIS PRODUCT TO RAIN OR MOISTURE.

	CAUTION RISK OF ELECTRIC SHOCK DO NOT OPEN	
CAUTION: TO PREVENT THE RISK OF ELECTRIC SHOCK, DO NOT REMOVE COVER OR BACK. NO USER-SERVICEABLE PARTS INSIDE. REFER SERVICING TO QUALIFIED PERSONNEL.		



The lightning flash with arrowhead symbol, within an equilateral triangle, is intended to alert the user to the presence of uninsulated "dangerous voltage" within the products enclosure that may be of sufficient magnitude to constitute a risk of electric shock to persons.



The exclamation point within an equilateral triangle is intended to alert the user to the presence of important operating and maintenance (servicing) instructions in the literature accompanying the appliance.

WARNING!

This CD player is classified as a CLASS 1 LASER PRODUCT. The caution label is located on the rear panel. To ensure continued safety, do not remove any covers or attempt to gain access to the inside of this product.



CAUTION

- This CD player employs a laser light beam. Only a qualified service person should remove the cover or service this device.
- To prevent direct exposure to laser beam and possible eye injury, do not try to open the enclosure. Visible and Invisible laser radiation when open and interlocks are defeated. **DO NOT STORE INTO BEAM.**
- The use of controls, adjustments, or procedures other than those specified on the player and in this manual might result in hazardous radiation exposure.
- This product is made and tested to meet exacting standards. It meets the FCC requirements and complies with the safety standards of the US Department of Health and Human Services

WARNING!

To prevent electric shock, match wide blade of plug to wide slot of outlet and fully insert AC adapter.

ATTENTION

Pour éviter les choc électriques, introduire la lame la plus large de la fiche dans la borne correspondante de la prises et pousser jusqu'au fond.

COMPLIANCE WITH FCC REGULATIONS

This equipment has been tested and found to comply with the limits for a Class B digital device, pursuant to Part 15 of the FCC Rules. These limits are designed to provide reasonable protection against harmful interference in a residential installation. This equipment generates, uses and can radiate radio frequency energy and, if not installed and used in accordance with the instructions, may cause harmful interference to radio communications. However, there is no guarantee that interference will not occur in a particular installation. If this equipment does cause harmful interference to radio or television reception, which can be determined by turning the equipment off and on, the user is encouraged to try to correct the interference by one or more of the following measures:

- Reorient or relocate the receiving antenna.
- Increase the separation between the equipment and receiver.
- Connect the equipment into an outlet on a circuit different from that to which the receiver is connected.
- Consult the dealer or an experienced radio technician for help.

IMPORTANT SAFETY INSTRUCTIONS

1. **Read Instructions** - All the safety and operating instruction should be read before the product is operated.
2. **Retain Instructions** - The safety and operating instruction should be retained for future reference.
3. **Heed Warnings** - All warning on the product and in the operating instructions should be adhered to.
4. **Follow instructions** - All operating and use instructions should be followed.
5. **Cleaning** - Unplug this product from the wall outlet before cleaning. Do not use liquid cleaners or aerosol cleaners. Use a damp cloth for cleaning.
6. **Attachments** - Do not use attachments not recommended by the product manufacturer as they may cause hazards.
7. **Water and Moisture** - Do not use this product near water - for example, near a bath tub, wash bowl, kitchen sink, or laundry tub; in a wet basement, or near a swimming pool, and the like.
8. **Accessories** - Do not place this product on an unstable cart, stand tripod, bracket, or table. The product may fall, causing serious injury to a child or adult, and serious damage to the product. Use only with a cart, stand, tripod, bracket, or table recommended by the manufacturer, or sold with the product. Any mounting of the product should follow the manufacturer s instructions, and should use a mounting accessory recommended by the manufacturer.
9. A product and cart combination should be moved with care. Quick stops, excessive force, and uneven surfaces may cause the appliance and cart combination to overturn.
10. **Ventilation** - Slots and openings in the cabinet are provided for ventilation and to ensure reliable operation of the product and to protect it from overheating, and these openings must not be blocked or covered. The openings should never be blocked by placing the product on a bed, sofa, rug, or other similar surface. This product should not be placed in a built-in installation such as a bookcase or rack unless proper ventilation is provided or the manufacturer s instruction have been adhered to.
11. **Power Sources** - This product should be operated only from the type of power source indicated on the marking label. If you are not sure of the type of power supply to your home, consult your product dealer or local power company. For products intended to operate from battery power, or other sources, refer to the operating instruction.
12. **Grounding or Polarization** - This product may be equipped with a polarized alternating current line plug (a plug having one blade wider than the other). This plug will fit into the power outlet only one way. This is a safety feature. If you are unable to insert the plug fully into the outlet, try reversing the plug. If the plug should still fail to fit, contact your electrician to replace your obsolete outlet. Do not defeat the safety purpose of the polarizes plug.
13. **Alternate Warnings** - This product is equipped with a three-wire grounding -type plug, a plug having a third (grounding) pin. This plug will only fit into a grounding-type power outlet. This is a safety feature. If you are unable to insert the plug into the outlet, contact your electrician to replace your obsolete outlet. Do not defeat the safety purpose of the grounding-type plug.
14. **Power-Cord Protection** - Power supply cords should be routed so that they are not likely to be walked on or pinched by items placed upon or against them, paying particular attention to cords at plugs, convenience receptacles, and point where they exit from the product.
15. **Heat** - The product should be situated away from heat sources such as radiators, heat registers, stoves, or other products (including amplifiers) that produce heat.

SPECIAL KARAOKE FUNCTIONS

PROGRAM PLAY

Using this feature, you may program the tracks to repeat in any order and as often as you like, creating a personal playlist with up to 20 tracks.

1. In STOP mode, press the PROGRAM button once. The track indicator will flash "0".
2. Press the FORWARD/BACK buttons (▶◀) to select a desired track and press the PROGRAM button to confirm.
3. Repeat the same steps to program up to a maximum of 20 tracks.
4. To review the order you have just programmed, press the PROGRAM button repeatedly. Each track number will display in the track indicator.
5. Press the PLAY button to begin playing your new playlist.
6. To clear the playlist, press the STOP button.

Note: The track indicator will flash "0" after each track is programmed and will flash " _ " when the program list is full.

INTRO SCAN

The Intro Scan function allows you to preview the disc, by playing the first 10 seconds of each song.

- Press the INTRO button to activate.
- Press the INTRO button again during Intro Play mode to resume normal playback.

Note: This feature only works during Playback mode.

AVC (AUTO VOCAL CONTROL)

Activate this function by turning the AVC control on the front of the unit. Turning it all the way up (clockwise) will cut the prerecorded vocal off completely as soon as there is output from the microphone. Adjust the level lower to hear the prerecorded vocals as you sing along. You may want to adjust the Mic Volume control until you achieve your desired combination.

Note: This feature will only work with tracks recorded with multiplex vocals. Check the information printed on each disc and its case to see if the multiplex recording feature is available.

MICROPHONE VOLUME

When the microphone is plugged into the microphone jack and turned ON, the output is mixed with the playback from the disc. Adjust the Mic Volume control for the best balance between playback and the microphone level.

ECHO CONTROL

Turn the Echo Control to adjust the depth and richness to vocals during playback.

DISCO BALL

To activate the Disco Ball, press the Disco Ball Power button down. The blue and white flashing lights will reflect off the mirrored ball as it turns. To turn the disco ball off, press the button again.

Note: This feature is most effective when it is operating in a dark room.

BASIC OPERATION

ADJUSTING THE VOLUME

If you have connected your system to a TV or other audio output source, adjust that volume from that source to a comfortable listening level. You may adjust the volume on your player using the Master Volume control located on the front.

LOADING A DISC

Press the PUSH button on the top of the CD compartment to open. Place a disc in the compartment with the printed label side facing you. Press and hold the CD compartment cover until the latch closes. The track indicator will display the total number of tracks.

Note: If there is no disk loaded or the disc isn't loaded properly, the indicator will display "- -"

PLAY MODE

To start playback, press the PLAY button and disc will begin playing at the first available track. The track number will be displayed in the track indicator.

Note: The red LED CDG indicator will light up when a CD+G disc is playing, and you have the option of viewing the lyrics on an attached TV.

PAUSE PLAYBACK

To temporarily stop playback (pause), press the PLAY button again during playback. To resume playback, press the PLAY button again.

STOP MODE

Press the STOP button during playback, the disc will stop playing and the total number of tracks will be displayed in the track indicator.

Note: Any special features like program play will cancel when you press the STOP button.

REMOVING A DISC

If a disc is playing, press the STOP button. Press the PUSH button to open the CD compartment. Place your thumb on the back plastic center of the CD player and lift the outer edge of the disc with your index finger. Remove the disc from the compartment by holding the outer edges.

SKIP SEARCH

In STOP mode, skip to a specific track number by pressing the FORWARD or BACK buttons (▶▶ ◀◀). While the selected song track is flashing, press the PLAY button. During the playback mode, skip to a specific track number by pressing the FORWARD or BACK buttons (▶▶ ◀◀).

IMPORTANT SAFETY INSTRUCTIONS

16. **Protective Attachment Plug** - The product is equipped with an attachment plug having overload protection. This is a safety feature. See Instruction Manual for replacement or resetting of protective device. If replacement of the plug is required, be sure the service technician has used a replacement plug specified by the manufacturer that has the same overload protection as the original plug.
17. **Outdoor Antenna Grounding** - If an outside antenna is connected to the receiver, be sure the antenna system is grounded so as to provide some protection against voltage surges and built-up static charges. Article 810 of the National Electrical Code, ANSI/NFPA 70, provides information with regard to proper grounding of the mast and supporting structure, grounding of the mast and supporting structure, grounding of the lead-in wire to an antenna-discharge unit, size of grounding conductors, location of antenna-discharge unit, connection to grounding electrodes, and requirements for the grounding electrode.
18. **Lightning** - For added protection for this product during a lightning storm, or when it is left unattended and unused for long periods of time, unplug it from the wall outlet and disconnect the antenna or cable system. This will prevent damage to the product due to lightning and power-line surges.
19. **Power Lines** - An outside antenna system should not be located in the vicinity of overhead power lines or other electric light or power circuits, or where it can fall into such power lines or circuits. When installing an outside antenna system, extreme care should be taken to keep from touching such power lines or circuits as contact with them might be fatal.
20. **Object and Liquid Entry** - Never push objects of any kind into this product through openings as they may touch dangerous voltage points or short-out parts that could result in a fire or electric shock. Never spill liquid of any kind on the product.
21. **Overloading** - Do not overload wall outlets, extension cords, or integral convenience receptacles as this can result in a risk of fire or electric shock.
22. **Servicing** - Do not attempt to service this product yourself as opening or removing covers may expose you to dangerous voltage or other hazards. Refer all servicing to qualified service personnel.
23. **Damage Requiring Service** - Unplug this product from the wall outlet and refer servicing to qualified service personnel under the following conditions:
 - A) When the power-supply cord or plug is damaged.
 - B) If liquid has been spilled, or objects have fallen into the product.
 - C) If the product has been exposed to rain or water.
 - D) If the product does not operate normally by following the operating instructions. Adjust only those controls that are covered by the operating instructions as an improper adjustment of other controls may result in damage and will often require extensive work by a qualified technician to restore the product to its normal operation.
 - E) If the product has been dropped or damaged in any way, and
 - F) When the product exhibits a distinct change in performance - this indicates a need for Service.
24. **Replacement Parts** - When replacement parts are required, be sure the service technician has used replacement parts specified by the manufacturer or have the same characteristics as the original part. Unauthorized substitutions may result in fire, electric shock, or other hazards.
25. **Safety Check** - Upon completion of any service or repairs to this product, ask the service technician to perform safety checks to determine that the product is in proper operating condition.
26. **Wall or Ceiling Mounting** - The product should be mounted to a wall or ceiling only as recommended by the manufacturer.

INTRODUCTION

Congratulations on your purchase of this Lil Bratz portable karaoke system. Designed for fun with its rotating disco ball, two microphones and built-in speakers, this compact system will bring the party with you. This versatile unit gives you the option of using batteries or an AC adapter, and easily connects to a TV set so you can read lyrics as you sing along.

SPECIAL FEATURES

This karaoke system includes simple to use professional karaoke functions that enhance your singing voice and help you learn songs. Play your favorite music recorded on CDG or multiplex formatted discs to fully take advantage of all the features this system has to offer.

- Dual power sources
- Built in speakers
- Disco Ball
- Audio and Video out jacks to hook up to a TV or other audio equipment
- Program Play
- Automatic Voice Control (AVC)
- Echo Control
- Two Microphones
- Earphone Input jack

GLOSSARY OF KARAOKE TERMS

For your quick reference, we have listed definitions of useful karaoke terms and functions.

Echo

Lets you add an echo to enrich your voice for a concert hall effect.

Multiplex

A multiplex disc contains two copies of each track. One version is a stereo recording of the song without the lead singer. The second version is recorded with the music and the background vocals on the left channel and the lead singer recorded on the right channel. This 'split track' recording allows you to control the volume of the lead singer. You can sing a duet with the lead singer or use the lead singer as a guide as you learn the song. Gradually fade the lead singer out as you learn to sing the song on your own.

Automatic Voice Control (AVC)

With the AVC function activated, the vocals on a multiplex recording are eliminated as soon as the singer begins singing into the microphone. When the singer stops singing the vocals are automatically re-activated. This function is used primarily during practice sessions when a singer is learning a song. Please note this function only works with multiplex recordings.

CDG (Compact Disc plus Graphics)

CDG, CD+G or CD+Graphics discs contain data and music tracks. For karaoke, the graphics function is used to display the lyrics in synch with music and in most cases, CDG software displays lyrics which change color as they are to be sung. A regular television with a Video Input is all that is required to display CDG lyrics.

BASIC OPERATION

ADJUSTING THE BALANCE INPUTS

This karaoke system has three audio input sources:


- The disc being played.
- The microphone(s) connected to the Mic Input jacks.
- The speakers on the player, or if you have connected other equipment, the TV or audio equipment attached to the AUDIO OUT jacks.

CAUTION!

Before you start turn all the volume levels to a minimum to avoid damage to your hearing and speakers.

1. Adjust the volume from the TV or other connected audio source to a comfortable level.
2. Turn on the power of your karaoke system and adjust the Master Volume to a comfortable level.
3. Turn the power of each connected microphone on, and adjust the Mic Volume Control to a comfortable level.

PLAYING CD or CD+G DISCS

This unit is designed to play CD Audio discs with the logo  and CD+G Discs. CD+G logos will vary in appearance.

Note: If the disc does not play properly, it may not be a compatible format.

CAUTIONS

- Do not attempt to open the disc compartment during playback. Press the STOP button first.
- The disc compartment should open easily. Do not apply excessive force to disc cover.
- Never place anything except a compact disc in the disc tray. Foreign objects can damage the unit.
- Only load one disc in the tray at a time. Be sure to load it with the label side facing you.
- Be sure the disc is clean. Wipe fingerprints and dust from the surface with a soft cloth.

TURNING POWER ON/OFF

To turn on the karaoke system, turn the POWER control. The star indicator on the control will light up and the Master Volume will adjust louder as you keep turning the control.

To turn off the system, turn POWER control counter-clockwise, lowering the master volume, until it clicks into the power OFF position.

Note: The star indicator light will go off to confirm the power is OFF.

CONNECTING THE POWER

Use one of the following three options to operate this unit:

USING BATTERIES

Place eight C batteries following the correct (+) and (-) polarity diagrams inside the battery compartment.

CAUTIONS

- Unplug the AC adaptor before inserting batteries.
- Do not use different types of batteries together, or mix old batteries with new batteries.
- Remove the batteries when the unit will not be in use for several days or if you plan to use only the AC adaptor.
- Replace the batteries with new ones when the sound becomes unstable or cannot be heard.

WARNING!

Dispose of old batteries promptly and properly. Do not burn or bury them.

USING AC POWER

You can power this unit using a 12V AC adaptor (part # 273-1776) with a Adaptaplug adaptor L (part # 273-1715) or the equivalent (neither supplied). Both are available at your local RadioShack store.

CAUTIONS

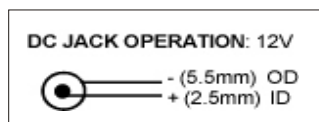
- You must use a Class 2 AC adapter that supplies 12V DC, and delivers at least 1000mA of rated power. Its center tip must be set to positive and its plug must fit your player's DC 12V jack.
- Always connect the AC adapter to the karaoke player before connecting it to the AC power outlet.
- Always make sure that the AC voltage in your wall outlet matches the voltage written on the adapter.
- The polarized plug will only fit in the wall outlet one way. If the plug does not fit properly, turn it over and try again. Do not force it.
- Always remove batteries before operating with an AC adapter. If the batteries are accidentally left in the compartment, make sure that you switch off the power before changing from the AC adapter to battery power or switching from battery to AC adapter operation.

USING A 12 VOLT DC CAR POWER ADAPTOR

This unit can be powered by any 12 volt DC jack for use in a car, boat or RV (not supplied). A 12 volt lighter style plug extension cord with (part # 273-1817) with Adaptaplug adapter L (part # 273-1715) are available at your local RadioShack store.

NOTES

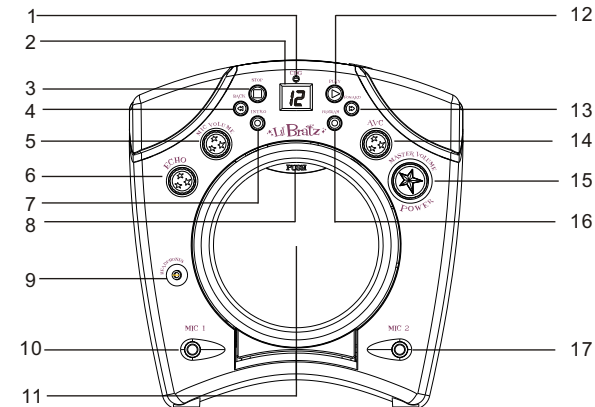
- Follow the cautions listed above for using an AC power adapter.
- The OD/ID information is shown below.



CONTROL LOCATIONS

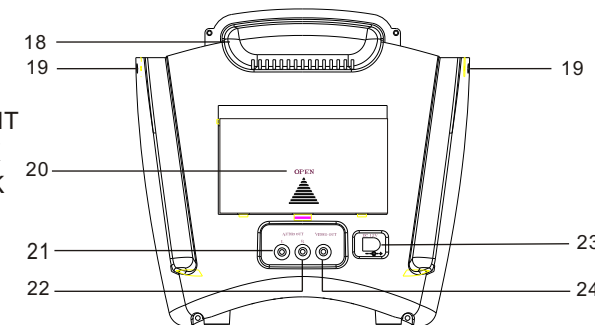
FRONT PANEL

1. CDG LED INDICATOR
2. TRACK INDICATOR
3. STOP BUTTON
4. BACK BUTTON
5. MIC VOLUME CONTROL
6. ECHO CONTROL
7. INTRO BUTTON
8. CD DOOR- PUSH TO OPEN/CLOSE
9. HEADPHONE JACK
10. MIC 1 JACK
11. CD COMPARTMENT
12. PLAY BUTTON
13. FORWARD BUTTON
14. AVC (AUTO VOICE CONTROL)
15. MASTER VOLUME CONTROL
POWER ON/OFF BUTTON
16. PROGRAM BUTTON
17. MIC 2 JACK



BACK PANEL

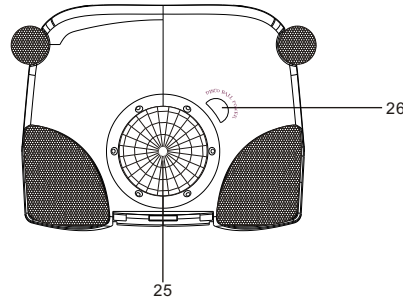
18. CARRYING HANDLE
19. MIC HOLDERS
20. BATTERY COMPARTMENT
21. AUDIO OUTPUT (L) JACK
22. AUDIO OUTPUT (R) JACK
23. DC INPUT JACK
24. VIDEO OUTPUT JACK



CONTROL LOCATIONS

TOP VIEW

- 25. DISCO BALL
- 26. DISCO BALL POWER BUTTON



CONNECTIONS

CAUTIONS

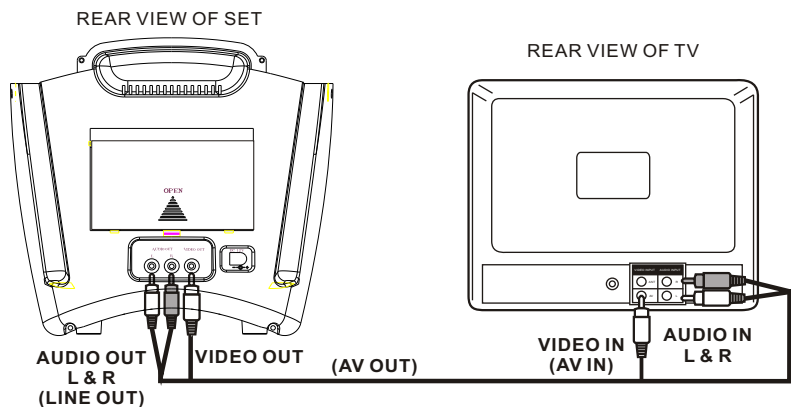
- To avoid electrical shock, do not connect the AC power until all connections are complete.
- Make sure all components to be connected are turned off.
- Always place wires and cables in an area that is clear of foot traffic.

CONNECTING TO A TV SET

To display song lyrics on a TV screen as a CDG disc plays, use the supplied video cable to connect the (yellow) VIDEO OUT on your karaoke system to the corresponding color-coded Video Input jack on your TV.

Notes

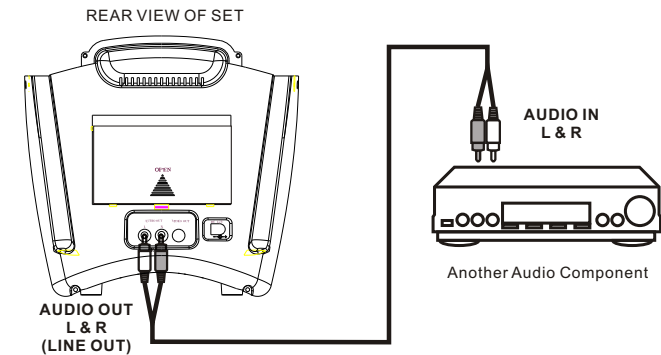
- Set the TV Input source to the correct AV channel. Refer to your TV's owner manual for more information.
- If your TV does not have the required Video Input, use an RF Modulator (Radio Frequency Modulator) to connect.



CONNECTIONS

CONNECTING TO AN AUDIO COMPONENT

To listen to the system's music and vocals through an audio component (such as a power amplifier or a PA system amplifier), use standard RCA type audio cables to connect the Left and Right AUDIO OUT on your karaoke system to the corresponding color-coded Audio Input jacks.



CONNECTING THE MICROPHONES

This system includes two unidirectional microphones designed to prevent feedback with your karaoke system. Use both for duets, or lead and backup vocal combinations.

In order to display the lyrics of CD+G discs, follow the instructions to connect to a TV described in the next section. Connections to other audio equipment such as an amplifier or a PA system are also described in the next section.

Before connecting the microphones to the Mic Inputs on the front of the player (as shown below), make sure the power switch on the base of each microphone is in the OFF position. On the karaoke player, turn the Mic Volume Control to a minimum, and turn the Master Volume Control to OFF.

